

4

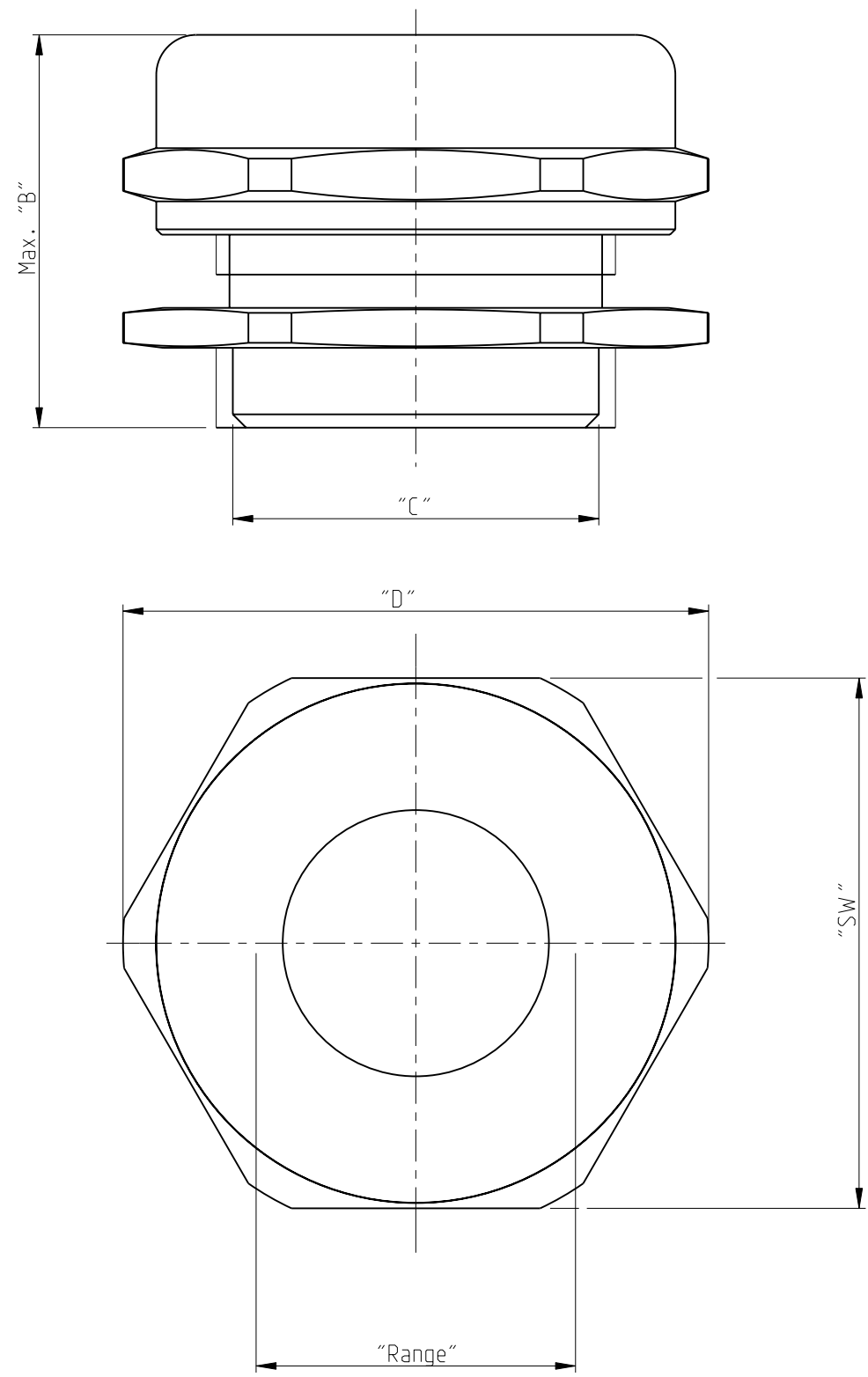
3

2

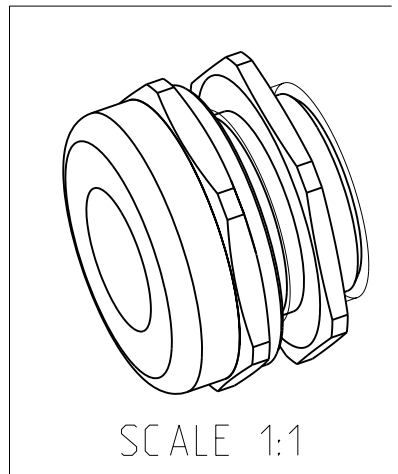
1

THIS DRAWING IS UNPUBLISHED. RELEASED FOR PUBLICATION 20
 © COPYRIGHT 1997 BY - ALL RIGHTS RESERVED.


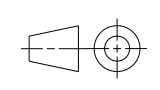
| LOC | DIST | REVISIONS | | | | |
|-----|------|-------------|---------------------------|-----------|------|-----|
| P | LTR | DESCRIPTION | DATE | DWN | APVD | |
| A1 | - | A4 | REVISED PER ECO-11-005030 | 24MAR2011 | RK | HMR |



- NOTES
- PARTS SHELL BE FREE AND CLEAN OF BURRS AND OTHER FOREIGN MATERIAL
 - MATERIALS
 BASE HOUSING & PRESSURE SCREW: BRASS. NICKEL PLATED
 SEALINGS: NBR. INSERT: PA
 - PACKAGING
 QUANTITY: 10 PIECES



| | | | | | | |
|-----|---------------|-------|-----------------|--------|------|----|
| 1-9 | HUT.11.MS | 5-10 | 23.5 | PG11 | 22.2 | 20 |
| 2-9 | HUT.13.MS | 6-12 | 25 | PG13.5 | 24.4 | 22 |
| 3-9 | HUT.16.MS | 10-14 | 25 | PG16 | 26.7 | 24 |
| 4-9 | HUT.21.MS | 13-18 | 27 | PG21 | 33.5 | 30 |
| 5-9 | HUT.29.MS | 18-25 | 31 | PG29 | 44 | 40 |
| 6-9 | HUT.36.MS | 24-32 | 36 | PG36 | 54 | 50 |
| 7-9 | HUT.42.MS | 30-38 | 39 | PG42 | 61 | 57 |
| 8-9 | HUT.48.MS | 34-44 | 42 | PG48 | 69 | 64 |
| PN | ORDERING TEXT | RANGE | B | C | D | SW |
| | | | DIMENSIONS (mm) | | | |

| | | | | | |
|--|---|------------------|-----------|------------------|---|
| THIS DRAWING IS A CONTROLLED DOCUMENT. | | DWN | Schneider | 08.02.01 |  TE Connectivity |
| DIMENSIONS: mm | | CHK | Schweiger | 08.02.01 | |
|  | | APVD | - | - | |
| TOLERANCES UNLESS OTHERWISE SPECIFIED: n. ISO 8015 n. ISO 2768-mH-E n. DIN 16901-120 0 PLC ± 1 PLC ± 2 PLC ± 3 PLC ± 4 PLC ± ANGLES ± | | PRODUCT SPEC | - | NAME | |
| MATERIAL | - | FINISH | - | APPLICATION SPEC | - |
| | | WEIGHT | - | SIZE | A3 |
| | | CUSTOMER DRAWING | | CAGE CODE | 00779 |
| | | | | DRAWING NO | ©=1106006 |
| | | | | RESTRICTED TO | - |
| | | | | SCALE | 1:1 |
| | | | | SHEET | 1 OF 1 |
| | | | | REV | A4 |